

Diagram #		Part name
<b>1</b> on diagram	Image not available	<b>Duct asy</b> <b>Number:</b> 921166-01
<b>2</b> on diagram	Image not available	<b>Switch</b> <b>Number:</b> 918989-02
<b>3</b> on diagram	Image not available	<b>Clip tool</b> <b>Number:</b> 914195-01
<b>4</b> on diagram	Image not available	<b>Pipe asy,v</b> <b>Number:</b> 904246-23
<b>5</b> on diagram	Image not available	<b>Cover assembly</b> <b>Number:</b> 920214-02
<b>6</b> on diagram	Image not available	<b>Exhaust seal</b> <b>Number:</b> 915547-01

**Part Info**

Diagram #

Part name

**7**  
on diagramImage not  
available**Seal valve****Number:** 903376-01**8**  
on diagramImage not  
available**Inlet seal****Number:** 915548-01**9**  
on diagramImage not  
available**Carriage****Number:** 903378-10**10**  
on diagramImage not  
available**Washer****Number:** 900534-01**11**  
on diagramImage not  
available**Retainer kit****Number:** 904303-01**12**  
on diagramImage not  
available**Port plate****Number:** 900270-05**13**  
on diagramImage not  
available**Spring****Number:** 900199-89**14**  
on diagramImage not  
available**Lock****Number:** 901223-03**15**  
on diagramImage not  
available**Seal****Number:** 903380-01**16**  
on diagramImage not  
available**Filter catch****Number:** 903346-15

**Part Info**

Diagram #		Part name
<b>17</b> on diagram	Image not available	<b>Wheel axle</b> Number: 900279-02
<b>18</b> on diagram		<b>Screws</b> Number: 900200-06
<b>19</b> on diagram	Image not available	<b>Boot</b> Number: 908062-01
<b>20</b> on diagram	Image not available	<b>Protector</b> Number: 903382-03
<b>21</b> on diagram	Image not available	<b>Insulator,connection</b> Number: 911041-01
<b>22</b> on diagram	Image not available	<b>Power cord</b> Number: 920912-01
<b>23</b> on diagram	Image not available	<b>Clip cable</b> Number: 904905-08
<b>24</b> on diagram	Image not available	<b>Powercord,internal</b> Number: 920116-02
<b>25</b> on diagram	Image not available	<b>U bend asy</b> Number: 921198-01

**Part Info**

Diagram #

Part name

**26**

on diagram

**Seal**

**Number:** 904140-01

**27**

on diagram

Image not available

**Exhaust pipe**

**Number:** 904242-08

**28**

on diagram



**Seal**

**Number:** 904141-01

29

on diagram

Image not available

**Wheel-cl**

**Number:** 900146-01

30

on diagram

Image not available

**Cap**

**Number:** 900049-17

31

on diagram

Image not available

**Wheel**

**Number:** 904193-12

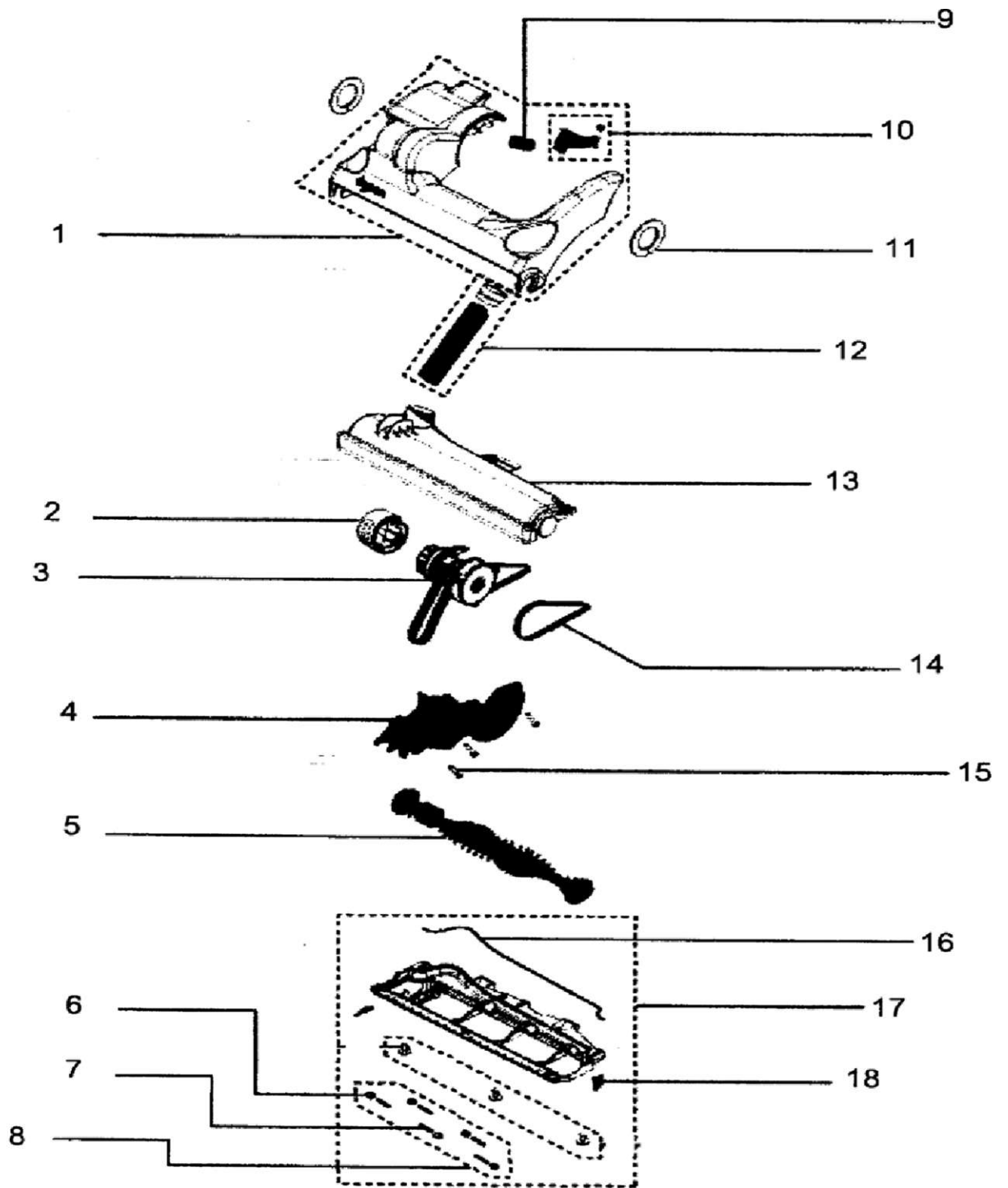
32

on diagram

Image not available

**Clips**

**Number:** 901769-04



**1**  
on diagram

Image not available

**Head assembly**  
Number: 902312-69

**2**  
on diagram

Image not available

**Actuator**  
Number: 900298-17

**3**  
on diagram



**Clutch**  
Number: DYR-7500

**4**  
on diagram

Image not available

**Cover**  
Number: 902405-06

**5**  
on diagram

Image not available

**Brush bar**  
Number: 920234-01

**6**  
on diagram



**Wheel**  
Number: 904562-01

**Part Info**

Diagram #

Part name

---

**7**  
on diagram

Image not available

**Axle,soleplate**  
Number: 900131-02

---

**8**  
on diagram

Image not available

**Wheel kit,soleplate**  
Number: 910427-01

---

**9**  
on diagram

Image not available

**Spring**  
Number: 900199-26

**Part Info**

Diagram #	Image	Part name
<b>10</b> on diagram	Image not available	<b>Lock</b> <b>Number:</b> 908821-01

<b>11</b> on diagram	Image not available	<b>Head pivot</b> <b>Number:</b> 901716-17
-------------------------	---------------------	---

<b>12</b> on diagram	Image not available	<b>Hose</b> <b>Number:</b> 904219-05
-------------------------	---------------------	---

<b>13</b> on diagram	Image not available	<b>Housing</b> <b>Number:</b> 908654-07
-------------------------	---------------------	--

<b>14</b> on diagram		<b>Belt</b> <b>Number:</b> 902514-01
-------------------------	---	---

**Part Info**

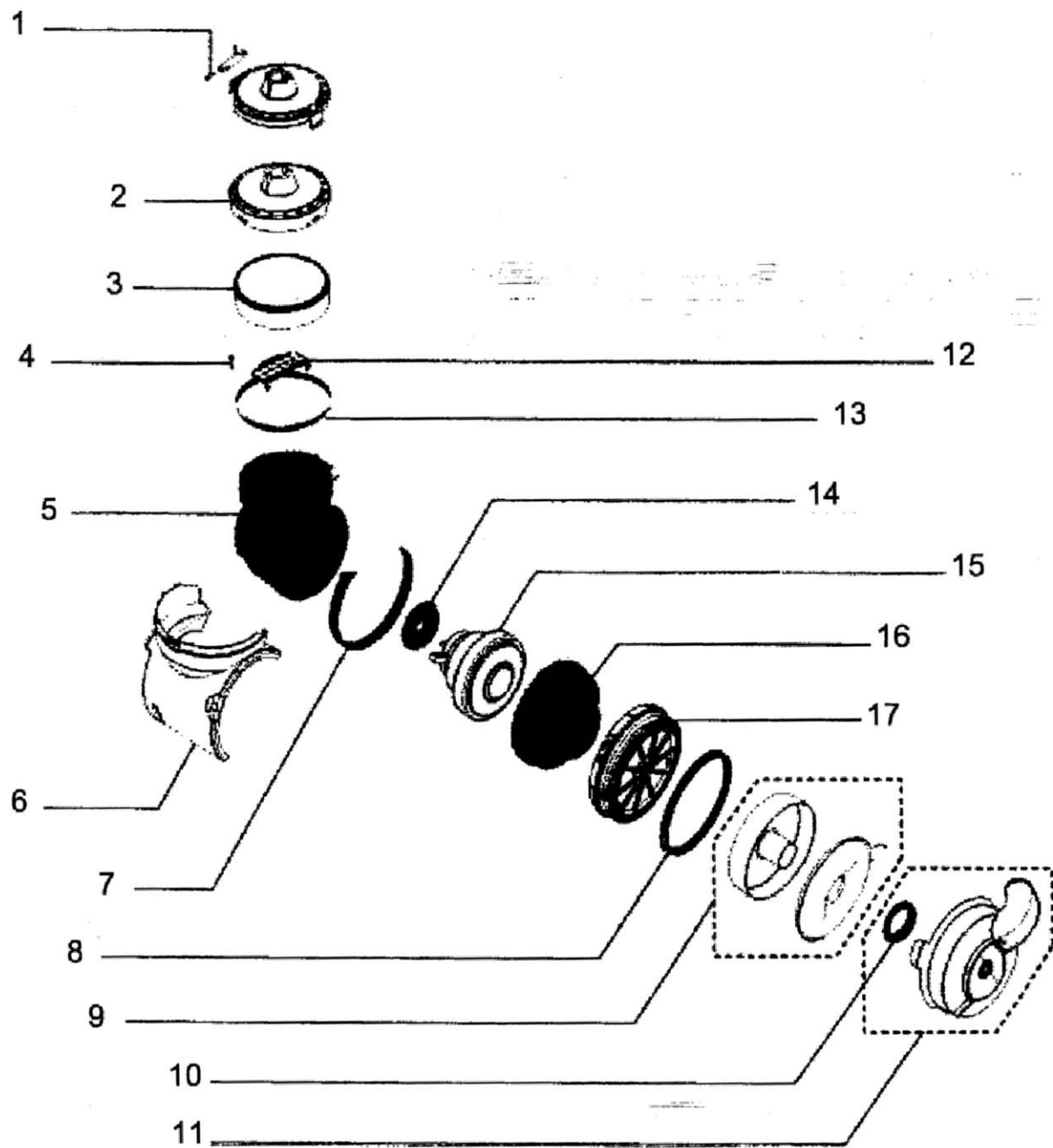
Diagram #	Image	Part name
<b>15</b> on diagram		<b>Screws</b> <b>Number:</b> 900200-06

<b>16</b> on diagram	Image not available	<b>Rope seal</b> <b>Number:</b> 905950-01
-------------------------	---------------------	--

<b>17</b> on diagram	Image not available	<b>Soleplate</b> <b>Number:</b> 908655-08
-------------------------	---------------------	--

<b>18</b> on diagram	Image not available	<b>Bristles</b> <b>Number:</b> 904102-01
-------------------------	---------------------	---





**Part Info**

Diagram #

Part name

**1**

**Screw**

**on diagram**

**Number:** 910702-04

**2**

**Cover,post filter**

**on diagram**

**Number:** 915658-01

**3**

**Filter assembly**

**on diagram**

**Number:** 919602-01

**Substitution:** 921616-01

This part is a manufacturer-approved substitute. It may differ in appearance from the original part but is a functional equivalent.

**4**

**Screws**

**on diagram**

**Number:** 900200-06

**5**

**Housing motor**

**on diagram**

**Number:** 919298-03

**Part Info**

Diagram #

Part name

**6**

on diagram

**Cover**

**Number:** 919376-01

**7**

on diagram

**Mount**

**Number:** 903350-01

**8**

on diagram

**Seal**

**Number:** 903358-01

**9**

on diagram

**Pre-filter**

**Number:** 919563-01

**10**

on diagram

**Seal housing**

**Number:** 905961-01

**11**

on diagram

**Housing,pre-filter**

**Number:** 920216-02

**12**

on diagram

**Diffuser**

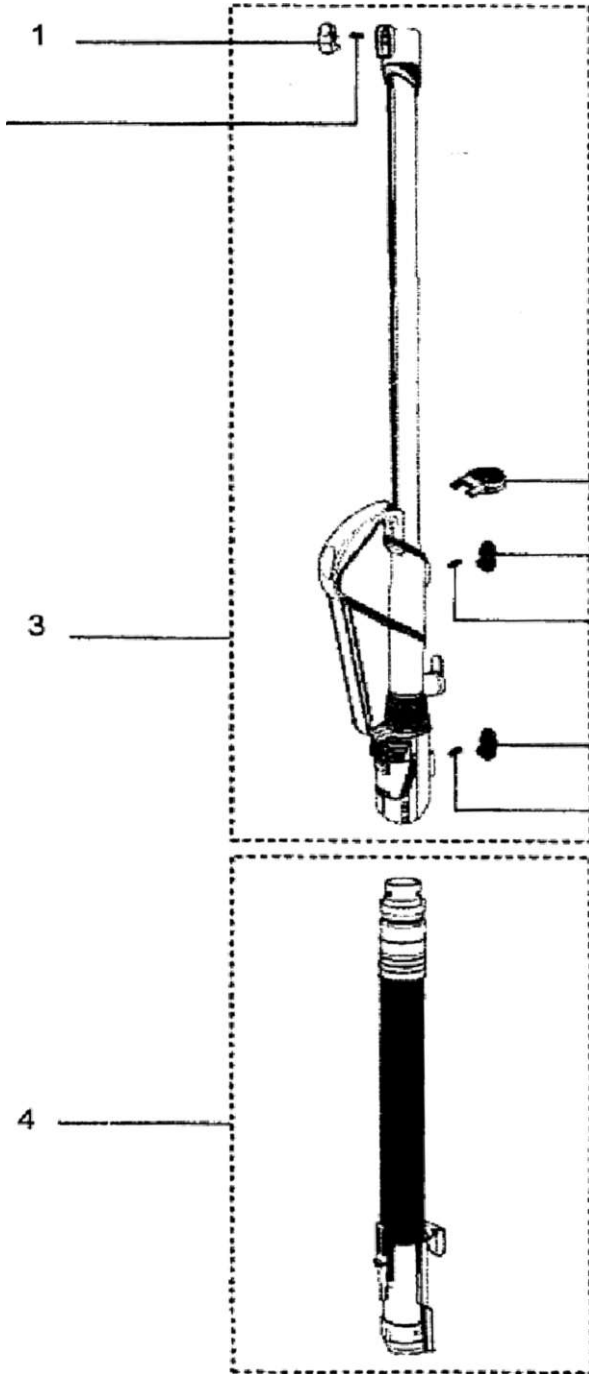
**Number:** 904137-01

**13**

on diagram

**Housing**

**Number:** 903351-01



**Part Info**

Diagram #

Part name

**1****Tool catch**

on diagram

Number: 911523-03

**2****Spring**

on diagram

Number: 900199-21

**3****Wand assembly**

on diagram

Number: 920231-02

**4****Hose assembly**

on diagram

Number: 920232-01

**5****Wand cap**

on diagram

Number: 915544-02

on diagram

**Catch,red swivel**

Number: 919445-02

**7****Catch,swivel**

on diagram

Number: 919445-01

**8****Combo tool**

on diagram

Number: 914338-01

**9****Stair tool**

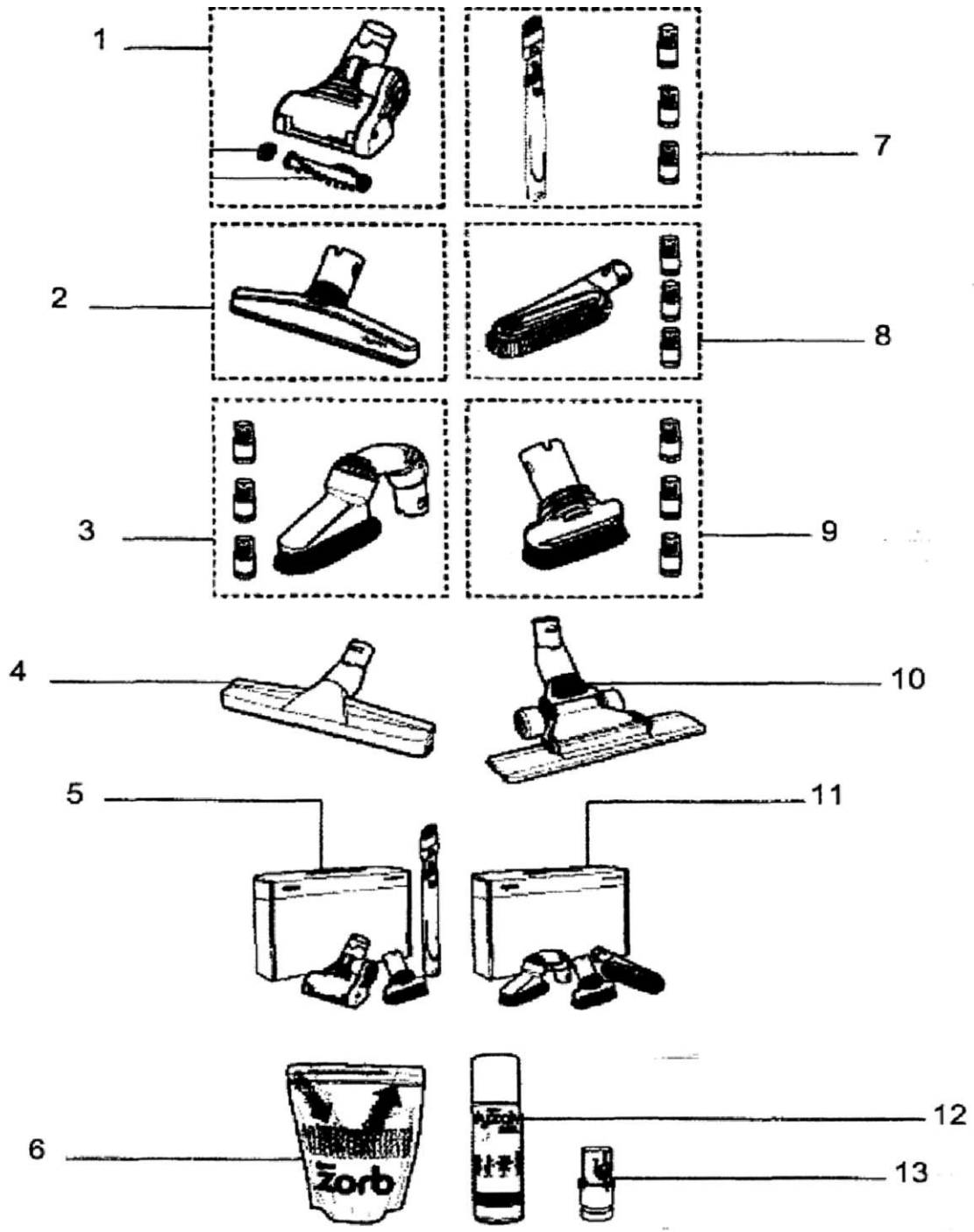
on diagram

Number: 915100-01

**10****Instruction kit**

on diagram

Number: 920145-04



**Part Info**

Diagram #

Part name

**1****Mini turbi**

on diagram

**Number:** 915022-02**2**

on diagram

**Tool assembly****Number:** 908940-05**Substitution:** 908940-09

This part is a manufacturer-approved substitute. It may differ in appearance from the original part but is a functional equivalent.

**3**

on diagram

**Brush assembly****Number:** 912114-02**4**

on diagram

**Tool assembly****Number:** 911565-03**Substitution:** 912967-03

This part is a manufacturer-approved substitute. It may differ in appearance from the original part but is a functional equivalent.

**5****Kit,cleang****Number:** 908909-06

**6**

on diagram

**Pouch zorb****Number:** 903914-07**7**

on diagram

**Crevice tl****Number:** 908032-06  
**Substitution:** 908032-04

This part is a manufacturer-approved substitute. It may differ in appearance from the original part but is a functional equivalent.

**8**

on diagram

**Brush****Number:** 908877-06  
**Substitution:** 908877-05

This part is a manufacturer-approved substitute. It may differ in appearance from the original part but is a functional equivalent.

**9**

on diagram

**Brush****Number:** 908917-04  
**Substitution:** 910366-04

This part is a manufacturer-approved substitute. It may differ in appearance from the original part but is a functional equivalent.

**10**

on diagram

**Head assembly****Number:** 914606--02  
**Substitution:** 914606-05

This part is a manufacturer-approved substitute. It may differ in appearance from the original part but is a functional equivalent.

**11**

on diagram

**Clean home****Number:** 912772-05**12**

on diagram

**Dyzolv-sol****Number:** 903888-06**13**

on diagram

Image not available

A d a p t e r

**Number:** 911768-03



